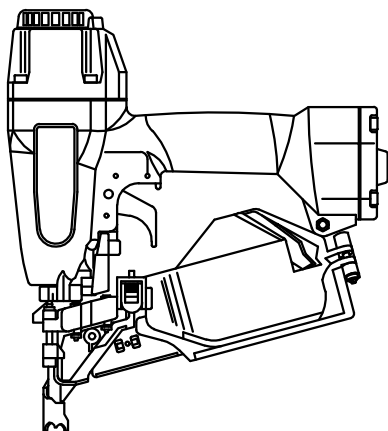
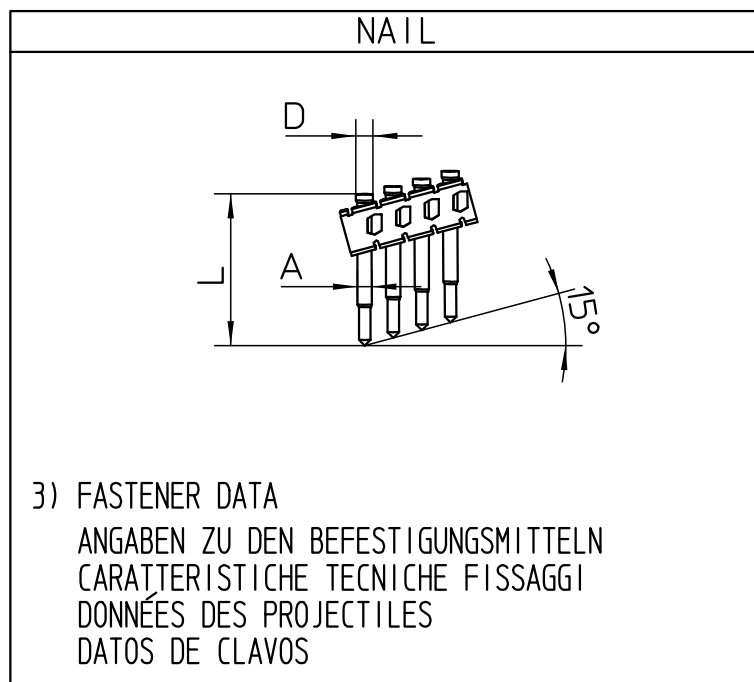


1) TOOL TYPE - GERAETETYP - DESCRIZIONE MACCHINA - TYPE D'OUTIL - TIPO DE MAQUINA
 cod. 11907 F33 CN15-PS40 LIGNOLOC®



2) TOOL CHARACTERISTICS
 SPEZIFIKATION DES GERAETES
 CARATTERISTICHE TECNICHE
 CARACTÉRISTIQUES DE L'OUTIL
 CARACTERÍSTICAS DE LA MAQUINA

HEIGHT HOEHE ALTEZZA HAUTEUR ALTURA	WIDTH BREITE LARGHEZZA LARGEUR ANCHURA	LENGTH LAENGE LUNGHEZZA LONGUEUR LONGITUD	WEIGHT GEWICHT PESO POIDS PESO
in. 11.42 mm. 290	in. 4.33 mm. 110	in. 10.35 mm. 263	lbs. 4.12 kg. 1.870
MIN-MAX WORKING PRESSURE MIN-MAX ARBEITSDRUCK MIN-MAX PRESSIONE DI ESERCIZIO MIN-MAX PRESSION DE TRAVAIL MIN-MAX PRESION DE TRABAJO		100 / 120 psi 7 / 8 BAR	
AIR CONSUMPTION PER CYCLE LUFTVERBRAUCH PRO NAGELUNG CONSUMO ARIA PER COLPO CONSUMATION DE L'AIRE PAR COUP CONSUMO DE AIRE CADA DISPARO		PERFORMANCES AT 90 psi (0.62 MPa) PRESTAZIONI A 6.2 BAR (0.62 MPa) 0.026 SCF 0.75 L.	
RECOMMENDED LUBRICANT EMPFOHLENES SCHMIERMITTEL LUBRIFICANTE RACCOMANDATO LUBRIFIANT RECOMMANDÉ LUBRIFICANTE RECOMENDADO		GREASE: MULTI-PURPOSE SYNTHETIC GREASE WITH SYNOLON® (PTFE) OIL: MINERAL OIL WITHOUT DETERGENT	



A) WIRE SCHAFT FILO ALAMBRE TIGE	in. 0.138 mm. 3.5
D) HEAD KOPF TESTA TETE CÂBEZA	in. 1.654 mm. 4.2
L) LENGTH LAENGE LUNGHEZZA LONGUEUR LONGITUD	MIN-MAX in. 7/8" - 1 9/16" mm. 22 - 40
MAGAZINE CAPACITY MAGAZIN CAPAZITAET CAPACITA' CARICATORE CAPACITE' CHARGEUR CAPACIDAD CARGADOR	150 nails
* LOADING * LADEN * CARICAMENTO * CHARGER * CARGA	<input type="checkbox"/> BOTTOM LOADING <input type="checkbox"/> SIDE LOADING <input type="checkbox"/> TOP LOADING <input checked="" type="checkbox"/> COIL <input type="checkbox"/> OTHER

* ACTUATION SYSTEM * AUSLOESEART * ATTUAZIONE * MISE EN OEUVRE * ACTUACION	SINGLE SEQUENTIAL ACTUATION CONTACT ACTUATION
----------------------------------------------------------------------------------------	--------------------------------------------------

* SEE INSTRUCTION MANUAL - SIEHE BETRIEBSANLEITUNG - VEDI MANUALE - VOIR MODE D'EMPLOI - VER EL MANUAL

NOISE CHARACTERISTICS GERÄUSCH - EMISSION DATEN CARATTERISTICHE RUMOROSITA' CARACTÉRISTIQUES ACOUSTIQUE CARACTERÍSTICAS DE RUIDO	UNI EN 12549:2009 $L_{WA,1s}$, : 96.3 dB(A) UNI EN ISO 11201 $L_{pA,1s}$, : 90.6 dB(A)	UNCERTAINTY UNISICHEIT INCERTEZZA INCERTITUDE INCERTIDUMBRE	$K_{WA,1s}$, 2.5 dB(A) $K_{pA,1s}$, 2.5 dB(A)
----------------------------------------------------------------------------------------------------------------------------------------------	---------------------------------------------------------------------------------------------	-------------------------------------------------------------------------	----------------------------------------------------

VIBRATION VALUE VIBRATIONSWERT VALORE DI VIBRAZIONE VALEUR DE VIBRATION VALOR DE VIBRACION	UNI CEN ISO/TS 8662-11:2006 $a_{hw,3s}$, : 2.2 m/s ²
--------------------------------------------------------------------------------------------------------	---------------------------------------------------------------------