

TECH INFORMATION

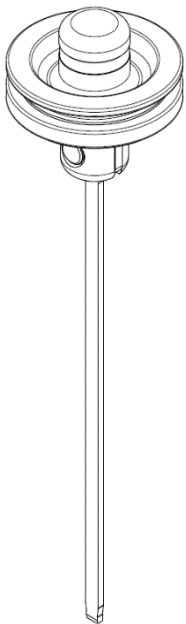
17 JUNE 2024
REVISION: 00

TOOL

F30AT FN-65 LM FS

MODIFICATION:
DRIVER PISTON





REASON OF MODIFICATION

To increase the lifetime of the driver blade, we changed the radius on the tip of the driver.

LIST OF TOOL VERSIONS

FIRST VERSION	# 11719	F30AT FN-65 L.M.
SECOND VERSION	# 11719.01	F30AT FN-65 L.M. FS
LATEST VERSION	# 11719.02	F30AT FN-65 L.M. FS

MODIFICATIONS

SECOND MODEL # 11719.01
F30AT FN-65 L.M. FS

LATEST MODEL # 11719.02
F30AT FN-65 L.M. FS

DESCRIPTION OF CHANGE	DRIVER PISTON
REASON FOR CHANGE	To increase the lifetime of the driver blade, we changed the radius on the tip of the driver.
NOTE	

ITEM(S) REPLACED	FROM OLD CODE	TO NEW CODE	INTERCHANGEABILTY
	302128	302128.1	YES
KIT(S)/CPL INVOLVED	# N/A		
SERIAL NUMBER OF THE FIRST NEW TOOL PRODUCED	# N/A		
NOTE	To carry out this update, replace the driver piston 302128 with the new driver piston 302128.1		

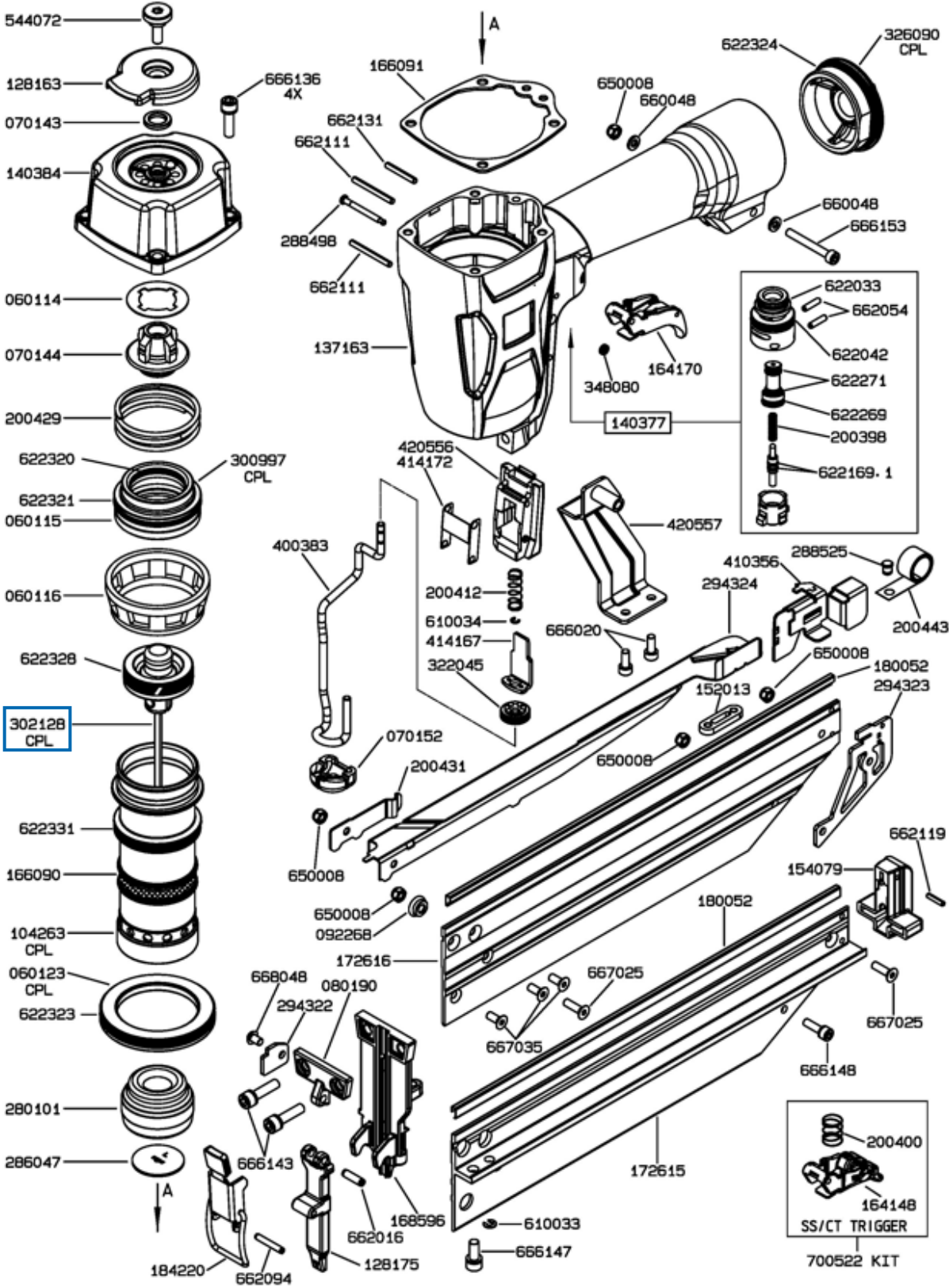
TECHNICAL DRAWINGS:

In the following technical drawings, you can see the differences (marked in blue) between the last 11719.01 and latest 11719.02 model of the F30AT FN-65 L.M. FS tool.



F30AT FN-65 L.M. FS | MACHINE CODE: 11719.01

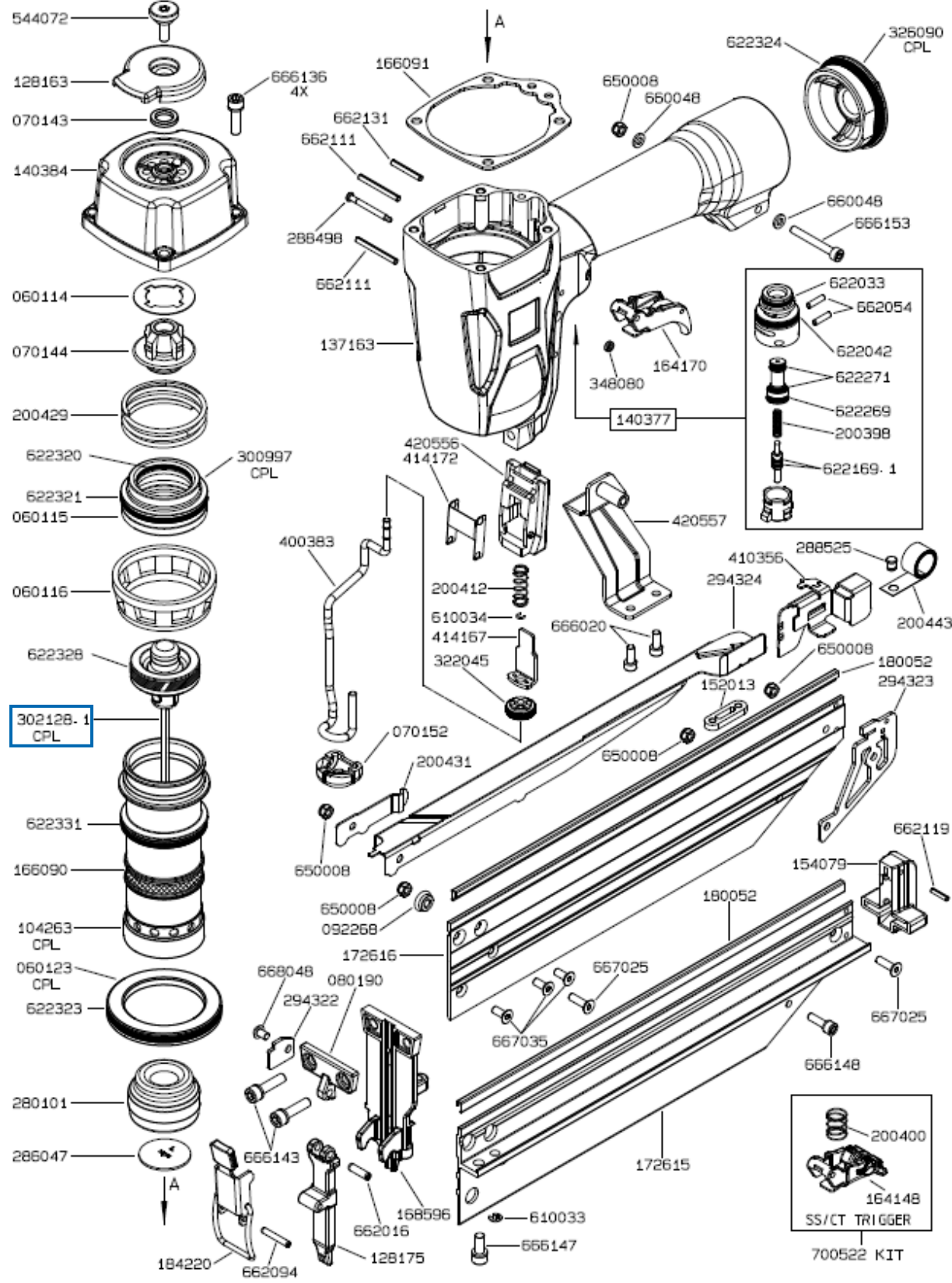
O-RINGS KIT #N/A





F30AT FN-65 L.M. FS | MACHINE CODE: 11719.02

O-RINGS KIT #N/A



CONTACT

TECHNICAL SUPPORT

INTERNATIONAL:

service.int@beck-fastening.com

D-A-CH:

service.dach@beck-fastening.com

US:

service.us@beck-fastening.com

This technical update is an improvement of the tool's functionality. However, please note that updating older versions of the tool is not mandatory, and any updates are not included under warranty coverage.